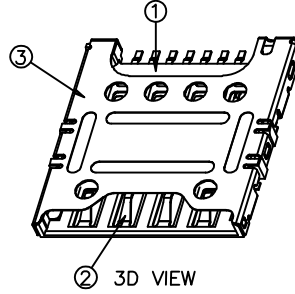
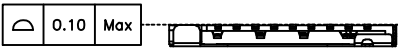
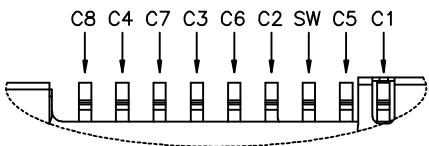
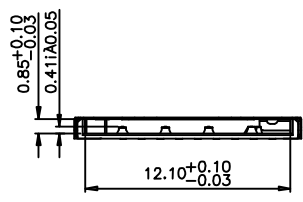
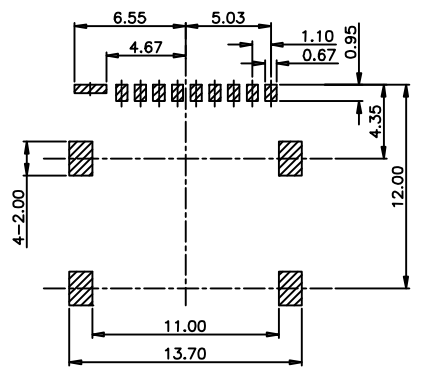
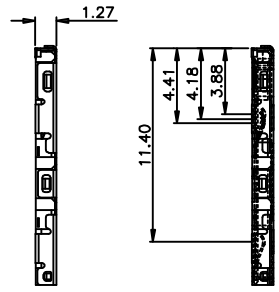
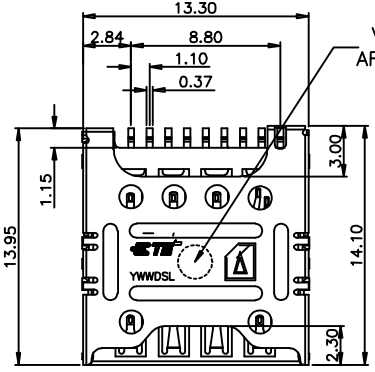


REV.	ECN NO.	LOCAS.	DESCRIPTION	DATE	DESIGN
A0			INITIAL RELEASE	13-10/17	Andy.yu



- NOTES:
- MATERIAL:
    - HOUSING.SLIDER:THERMOPLASTIC RESIN  
UL 94V-0 COLOR:BLACK
    - CONTACT : COPPER ALLOY
    - SHELL:STAINLESS STEEL
  - FINISH:
    - Au"PL AT CONTACT AREA  
Au"PL AT SOLDERING AREA
    - SHELL:Au"PL AT SOLDERING AND SWITH AREA
  - NON-CUMULATIVE TOLERANCE
  - COPLANARITY IS 0.1MAX.
  - CIRCUIT DRAWING OF SWITCH
  - OVERALL TOLERANCE:±0.1
  - SWITCH MOVING AREA

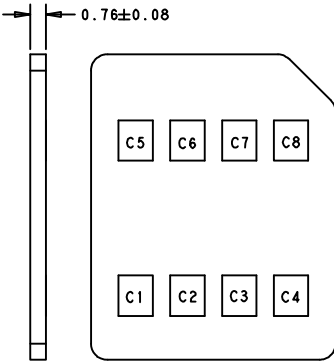


PCB LAYOUT  
TOLERANCE:±0.05

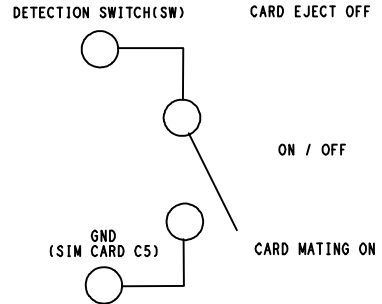
<b>CTC</b> Connection Technologies Corporation			
DRAW NO.	DATE	MATERIAL: SEE NOTES	DRAW NAME:
DESIGN: Andy.yu	13-10/17	FINISH: SEE NOTES	MICRO SIM CONNECTOR 1.27H
CHECK:		P/N NO.SIM-AF135-084	UNIT: mm
APPROVED		REV. A0 SCALE N/A	SHEET: 1/2

DIM	TOL	DIM	TOL
X.	±0.50	X'	±5.0'
X.X	±0.35	X.X'	±4.0'
X.XX	±0.25	X.XX'	±3.0'
X.XXX	±0.15	X.XXX'	±2'

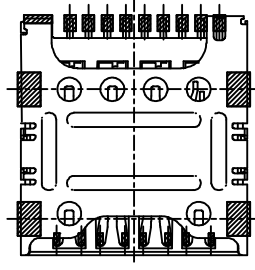
REV.	ECN NO.	LOCAS.	DESCRIPTION	DATE	DESIGN
A0			INITIAL RELEASE	13-10/17	Andy.yu



SIM CARD PAD LAYOUT



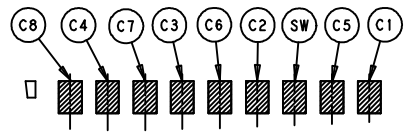
CIRCUIT DRAWING OF SWITCH



⊗MATCH WITH PCB LAYOUT  
SCALE <5:1>

SW	DETECTION SWITCH
C8	RESERVED
C7	I/O
C6	VPP
C5	GND
C4	RESERVED
C3	CLK
C2	RST
C1	VCC
PIN No.	PIN NAME

SIM CARD PIN ASSIGNMENT



PCB LAYOUT(REFERENCE)  
(VIEW FROM CONNECTOR MOUNT SIDE)

DETAIL C  
SCALE 10:1

<b>CTC</b> Connection Technologies Corporation			
DRAW NO.	DATE	MATERIAL: SEE NOTES	DRAW NAME:
DESIGN: Andy.yu	13-10/17	FINISH: SEE NOTES	MICRO SIM CONNECTOR SMT TYPE
CHECK:		P/N NO.SIM-AF135-084	UNIT: mm
APPROVED		REV. A0 SCALE N/A	SHEET: 2/2

DIM	TOL	DIM	TOL
X.	±0.50	X'	±5.0'
X.X	±0.35	X.X'	±4.0'
X.XX	±0.25	X.XX'	±3.0'
X.XXX	±0.15	X.XXX'	±2'